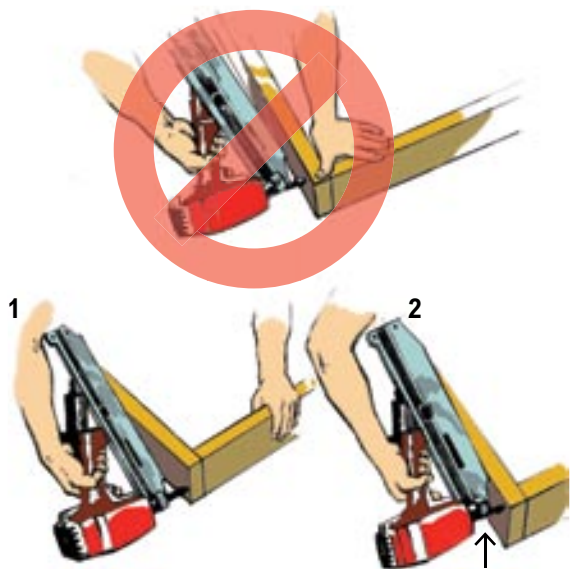
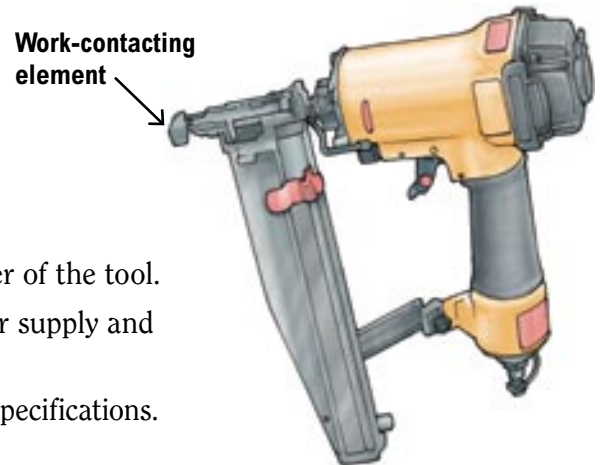




Safe use of pneumatic nailing and stapling equipment

- Permit only trained and experienced workers to operate pneumatic nailing and stapling tools.
- Wear proper eye and hearing protection.
- Make sure the tool is maintained in safe operating condition.
- Inspect the tool before connecting to the air supply.
 - Check safety mechanisms if applicable.
 - Ensure the screws and cylinder caps are securely tightened.
 - Make sure the air pressure is as specified by the manufacturer of the tool.
- Before using, check that the tool is properly connected to the air supply and is in working order, with the safety mechanism operable.
- Do not operate the tool at air pressures above the manufacturer's specifications.
- Always handle the tool as if it contains fasteners.
- Always use a work-contacting element that limits the contact area to one as small as practicable.
- Make sure the mechanical linkage between the work-contacting element and the trigger is enclosed.
- Disconnect the tool from the air supply and exhaust all air from the tool by squeezing the trigger when
 - Not in use, or
 - Cleaning or adjusting, or
 - Clearing a blockage
- Use only fasteners recommended by the manufacturer of the tool, and follow the manufacturer's instructions when reloading.
- Do not point the tool at yourself or any other person.
- Do not squeeze the trigger unless the nosepiece of the tool is directed at a safe work surface.
- Do not transport or load the tool with your finger on the trigger.
- Do not secure the trigger in the ON position.
- Do not overreach when using the tool.
- Ensure you have the right amount of air pressure for the size and type of nail you are using. **Caution:** Too much pressure can cause a nail to go right through the material and could cause serious injury to other workers.
- Follow the manufacturer's safe operating procedures when using nailers powered by butane.



The bottom two diagrams show the safe sequence for using an air nailer.

Project: _____ Address: _____

Employer: _____ Supervisor: _____

Date: _____ Time: _____ Shift: _____

Number in crew: _____ Number attending: _____

Other safety issues or suggestions made by crew members:

Record of those attending:

Name: (please print)	Signature:	Company:
1.		
2.		
3.		
4.		
5.		
6.		
7.		
8.		
9.		
10.		
11.		
12.		
13.		
14.		
15.		

Manager's remarks: _____

Manager: _____ Supervisor: _____

(signature)

(signature)



WORKING TO MAKE A DIFFERENCE
worksafebc.com